

Product availability: Stock - Normally stocked in distribution facility

Price*: 53.00 USD



Main

Bezel material	Chromium plated metal
Enclosure type	Dust and oil resistant weatherproof enclosure indoor/outdoor
Range of product	K

Complementary

Accessory / separate part destination	Non illuminated push-button
Cap/operator or lens colour	Black
Contacts type and composition	Without contact block
Operator position information	2 positions
Operator profile	Standard knob
Operator profile	1 projecting push-button
Size	30 mm
Type of operator	Maintained

Environment

NEMA degree of protection	NEMA 1/2/3/3R/4/6/12/13
Product certifications	UL listed file E42259 CCN NKCR CSA LR 25490 class 3211 03 CE

Ordering and shipping details

Category	21426 - 9001 K (NOT KA,KM,KX)
Discount Schedule	CS1
GTIN	00785901055662
Nbr. of units in pkg.	1
Package weight(Lbs)	4.32 Oz (122.47 g)
Returnability	Yes
Country of origin	MX

Packing Units

Unit Type of Package 1	PCE
Package 1 Height	2.80 In (7.112 cm)
Package 1 width	2.30 In (5.842 cm)
Package 1 Length	2.10 In (5.334 cm)

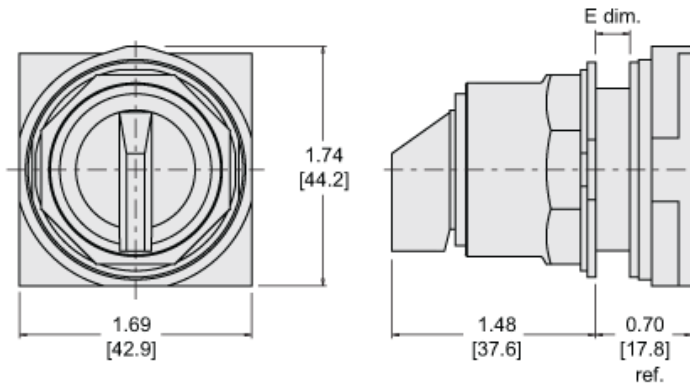
Offer Sustainability

Sustainable offer status	Green Premium product
California proposition 65	WARNING: This product can expose you to chemicals including: Nickel compounds, which is known to the State of California to cause cancer, and Di-isodecyl phthalate (DIDP), which is known to the State of California to cause birth defects or other reproductive harm. For more information go to www.P65Warnings.ca.gov
REACH Regulation	REACH Declaration
EU RoHS Directive	Pro-active compliance (Product out of EU RoHS legal scope) EU RoHS Declaration
Mercury free	Yes
RoHS exemption information	Yes
China RoHS Regulation	China RoHS Declaration
Environmental Disclosure	Product Environmental Profile
WEEE	The product must be disposed on European Union markets following specific waste collection and never end up in rubbish bins.

Contractual warranty

Warranty	18 months
----------	-----------

Approximate Dimensions



Panel Thickness E dim. in. [mm]	Number of Gasket
1/16 [1.6]	4
1/8 (3.2)	3
3/16 (4.8)	2
1/4 (6.4)	1

in.
[mm]

Product Life Status : **Commercialised**